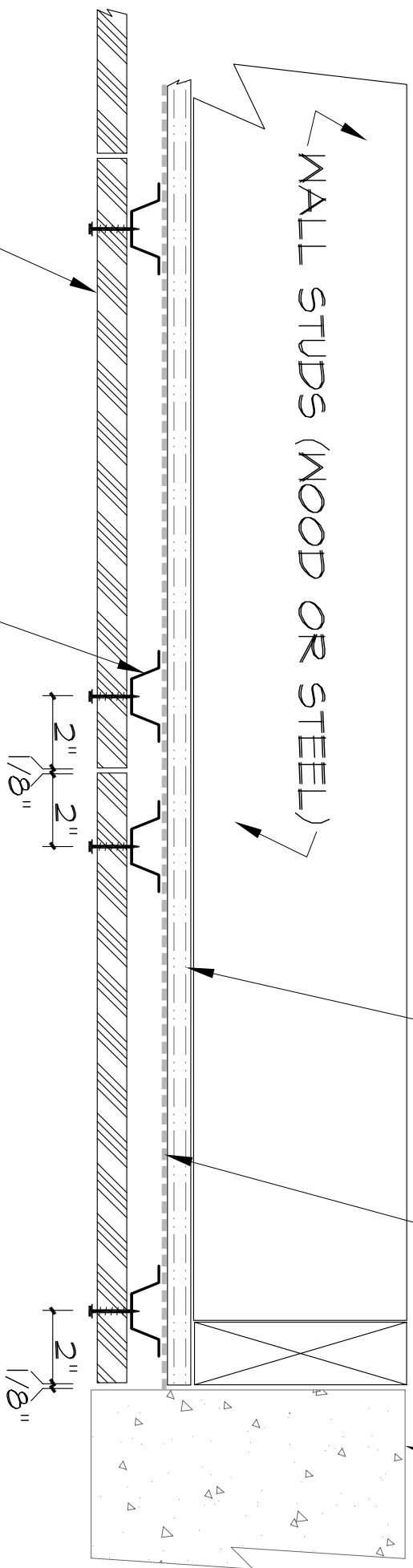


RAINSCREEN MEMBRANE SYSTEM
(SUPPLIED BY OTHERS)

1/2" EXTERIOR GRADE SHEATHING

WALL STUDS (WOOD OR STEEL)



CONCRETE WALL

GEOBOARD PANEL (12 MM MINIMUM)

7/8" GALVANIZED STEEL HAT CHANNEL

PLAN VIEW
TYPICAL WALL SECTION

Ameriform LLC
162 Cook Lane
Marlborough, MA 01752
Ph: (508) 485-9812 Fx: (508) 251-3084
www.ameriformllc.com

GEOBOARD RAIN-SCREEN DETAILS



WALL STUDS (WOOD OR STEEL)

RAINSCREEN MEMBRANE SYSTEM
(SUPPLIED BY OTHERS)

1/2"

2"

1/8"

2"

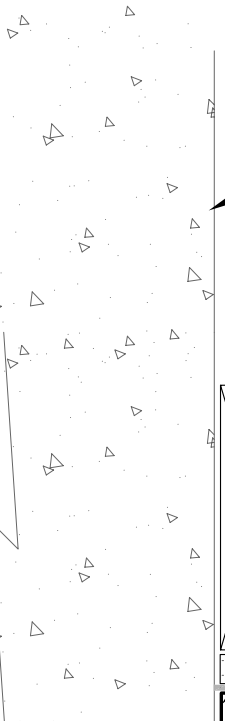
1/2" EXTERIOR GRADE SHEATHING

7/8" GALVANIZED STEEL HAT CHANNEL

GEOBOARD PANEL (12 MM MINIMUM)

METAL FLASHING

CONCRETE
SLAB



GRADE

6"

2"

SECTION VIEW

TYPICAL WALL SECTION
TERMINATION AT GRADE

Ameriform LLC

162 Cook Lane

Marlborough, MA 01752

Ph: (508)485-9812

Fx: (508)251-3084

WWW.ameriformllc.com

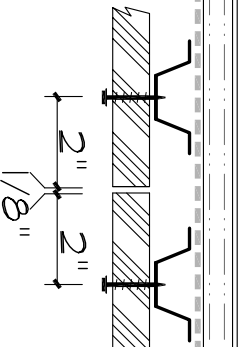
GEOBOARD RAIN-SCREEN DETAILS

AMERIFORM

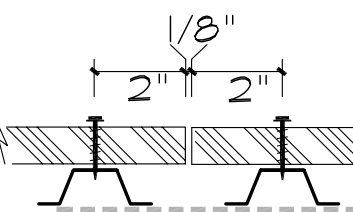
2

7/8" GALVANIZED STEEL HAT CHANNEL

1/2" EXTERIOR GRADE SHEATHING
RAINSCREEN MEMBRANE SYSTEM
(SUPPLIED BY OTHERS)



GEOBOARD PANEL (12 MM MINIMUM)



PLAN VIEW
TYPICAL INSIDE CORNER

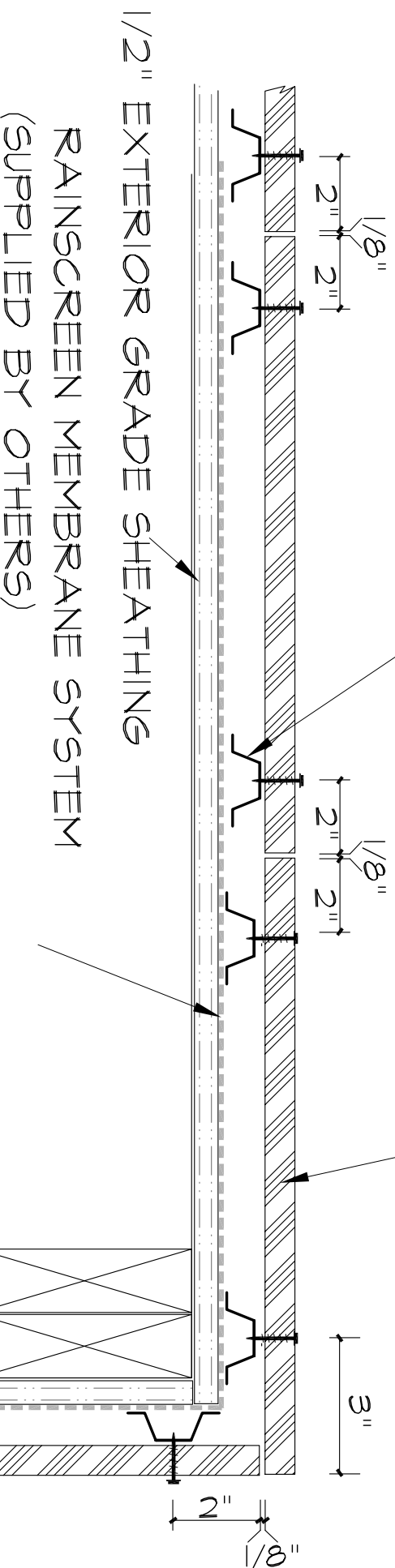
Ameriform LLC
162 Cook Lane
Marlborough, ma 01752
Ph: (508)485-9812
MWM.ameriformllc.com

GEOBOARD RAIN-SCREEN DETAILS



7/8" GALVANIZED STEEL HAT CHANNEL

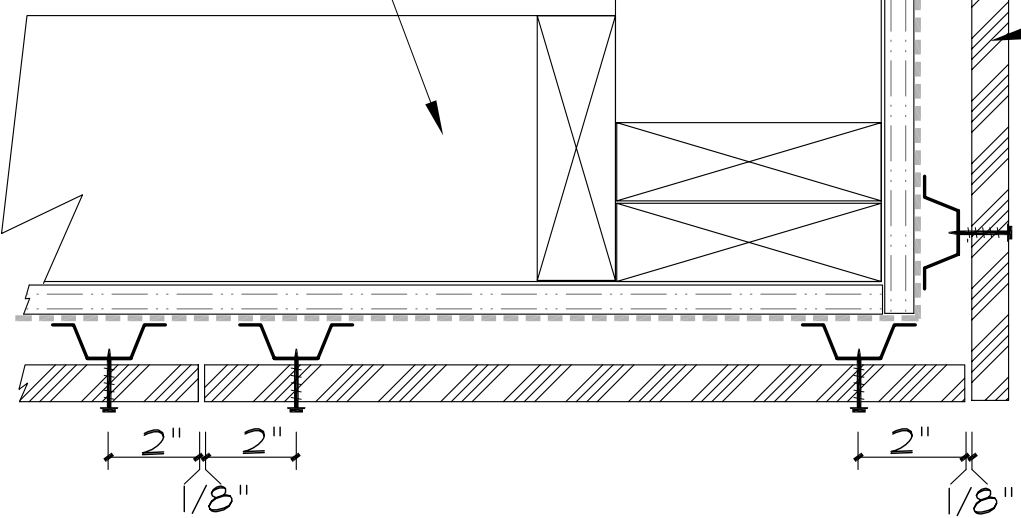
GEOBOARD PANEL (12 MM MINIMUM)



WALL STUDS (WOOD OR STEEL)

PLAN VIEW

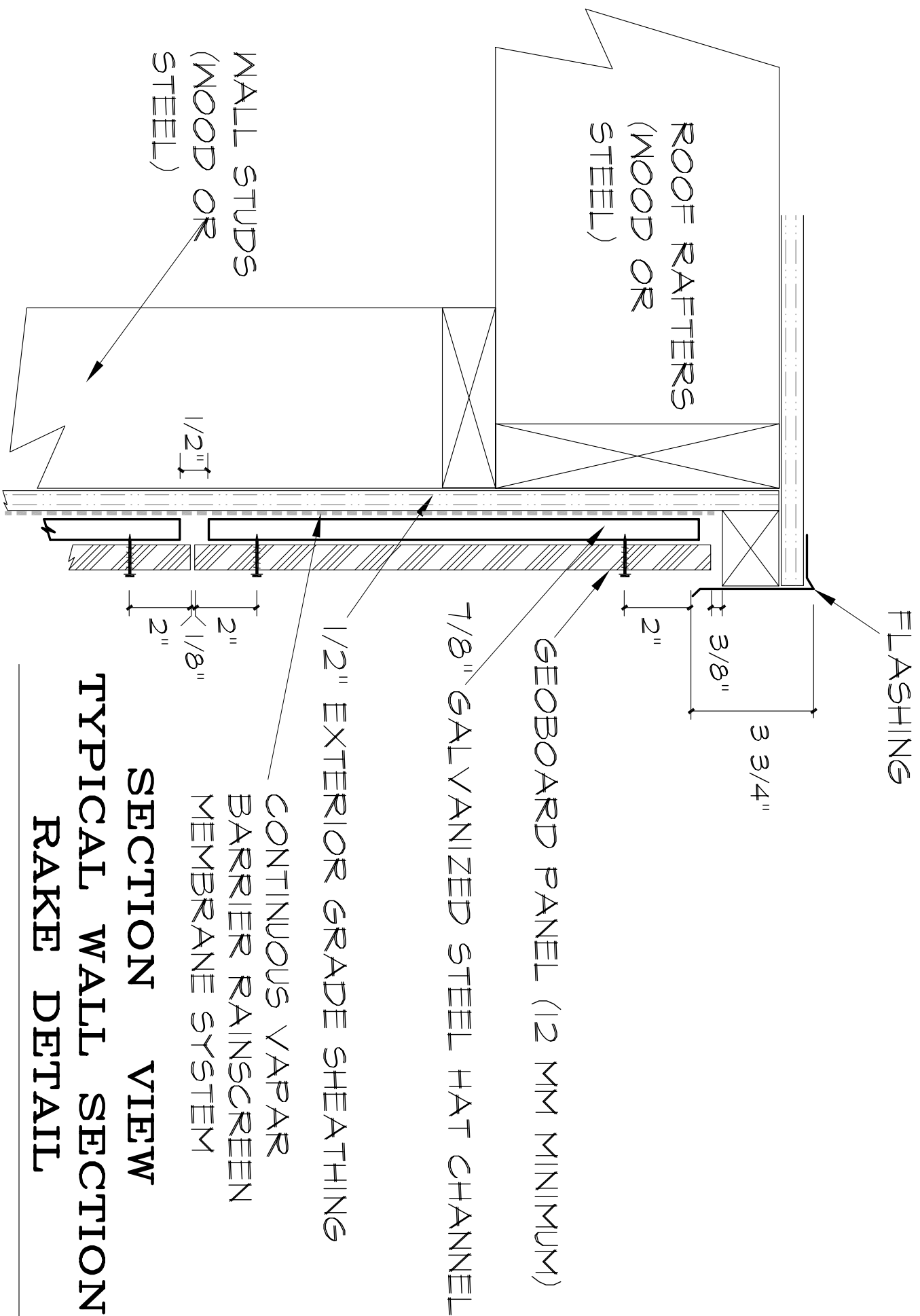
TYPICAL OUTSIDE CORNER



Ameriform LLC
162 Cook Lane
Marlborough, MA 01752
Ph: (508)485-9812 Fax: (508)251-3084
www.ameriformllc.com

GEOBOARD RAIN-SCREEN DETAILS

AMERIFORM



FLASHING

3 3/4"

3/8"

2"

GEOBOARD PANEL (12 MM MINIMUM)

7/8" GALVANIZED STEEL HAT CHANNEL

1/2" EXTERIOR GRADE SHEATHING

CONTINUOUS VAPOR
BARRIER RAINSCREEN
MEMBRANE SYSTEM

SECTION VIEW

TYPICAL WALL SECTION
RAKE DETAIL

WALL STUDS
(WOOD OR
STEEL)

1/2"

2"

1/8"

2"

Ameriform LLC
162 Cook Lane
Marlborough, MA 01752
Ph: (508) 485-9812
FAX: (508) 251-3084
WWW.ameriformllc.com

GEOBOARD RAIN-SCREEN DETAILS



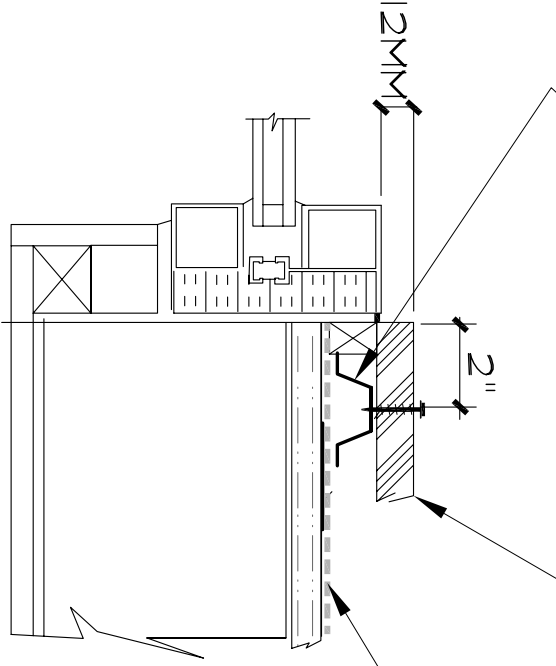
1/2" EXTERIOR GRADE SHEATHING

7/8" GALVANIZED STEEL HAT CHANNEL

GEOBOARD PANEL (12 MM MINIMUM)

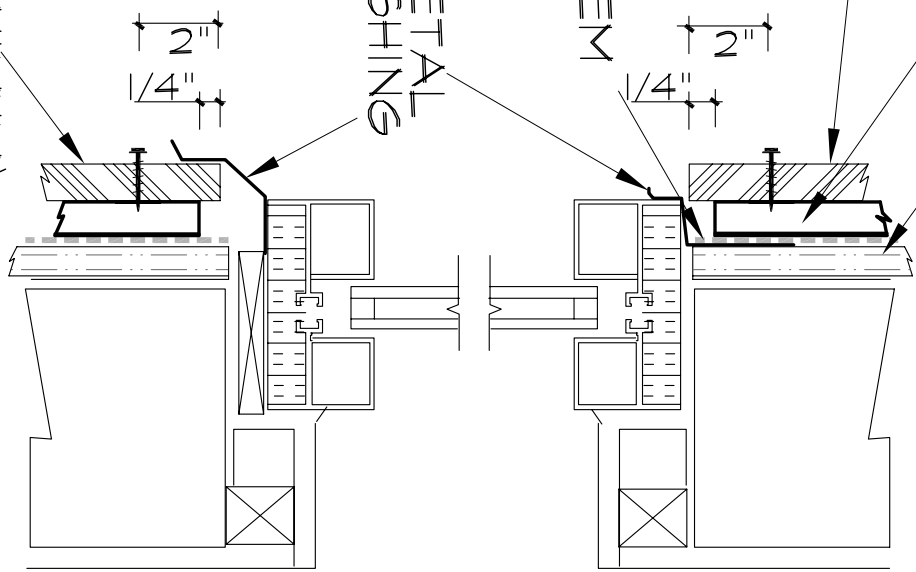
RAINSCREEN
MEMBRANE SYSTEM
(BY OTHERS)

METAL
FLASHING



JAMB
PLAN VIEW

GEOBOARD PANEL (12 MM MINIMUM)



HEAD

SILL

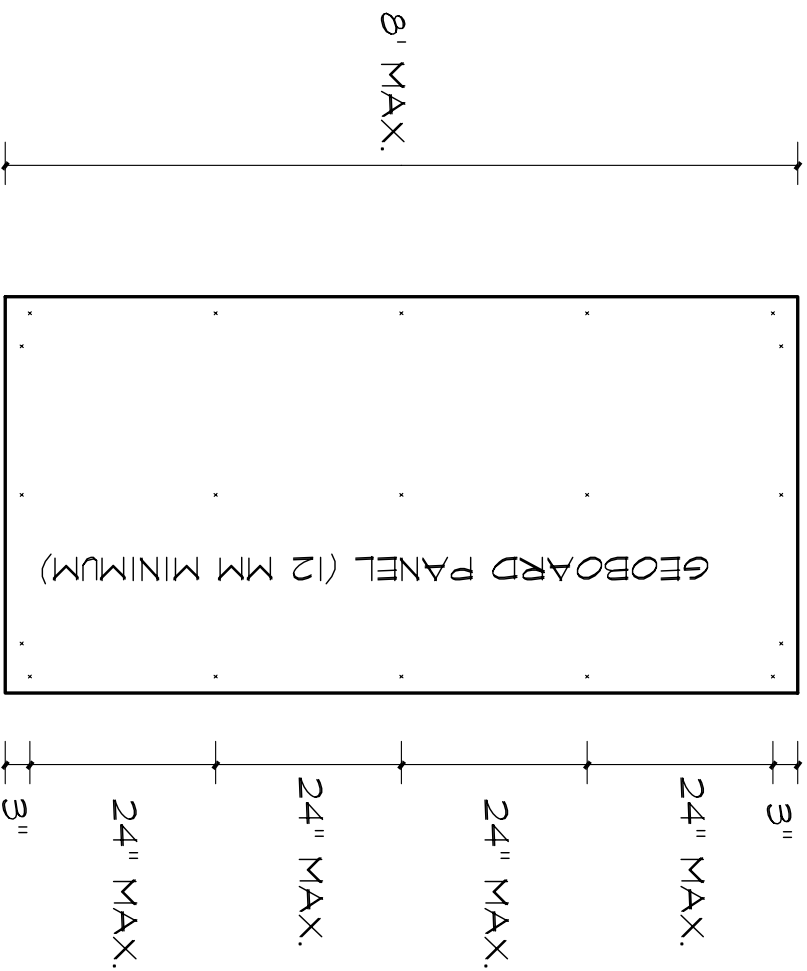
SECTION VIEW

TYPICAL WINDOW DETAILS

Ameriform LLC
162 Cook Lane
Marlborough, MA 01752
Ph: (508) 485-9812
FAX: (508) 251-3084
WWW.ameriformllc.com

GEOBOARD RAIN-SCREEN DETAILS

AMERIFORM



TYPICAL FASTENING PATTERN

GEOBOARD RAIN-SCREEN DETAILS

Ameriform LLC
 162 Cook Lane
 Marlborough, MA 01752
 Ph: (508) 485-9812 Fax: (508) 251-3084
 WWW.ameriformllc.com

