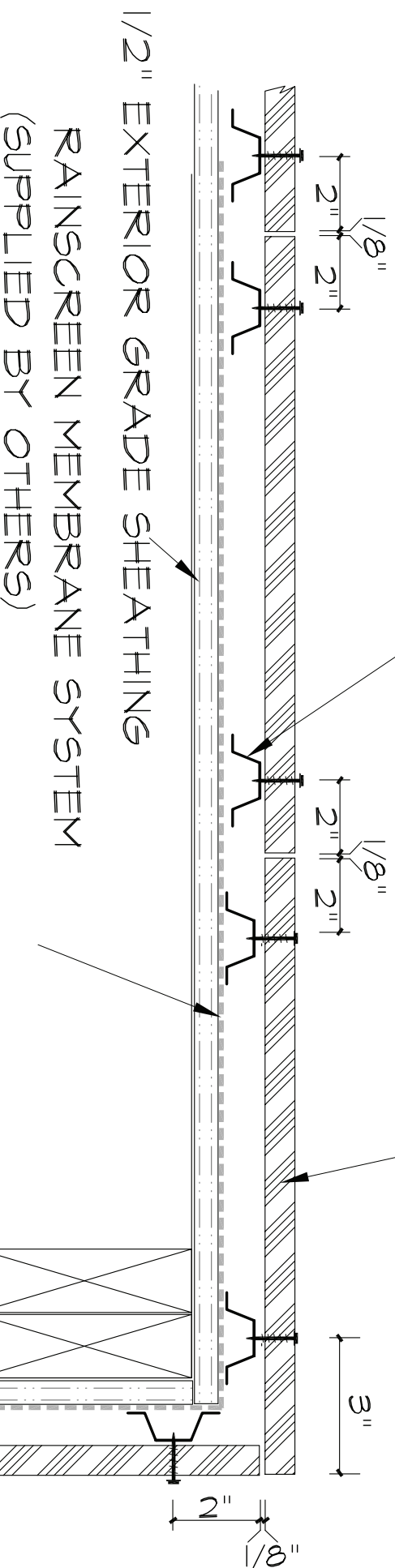


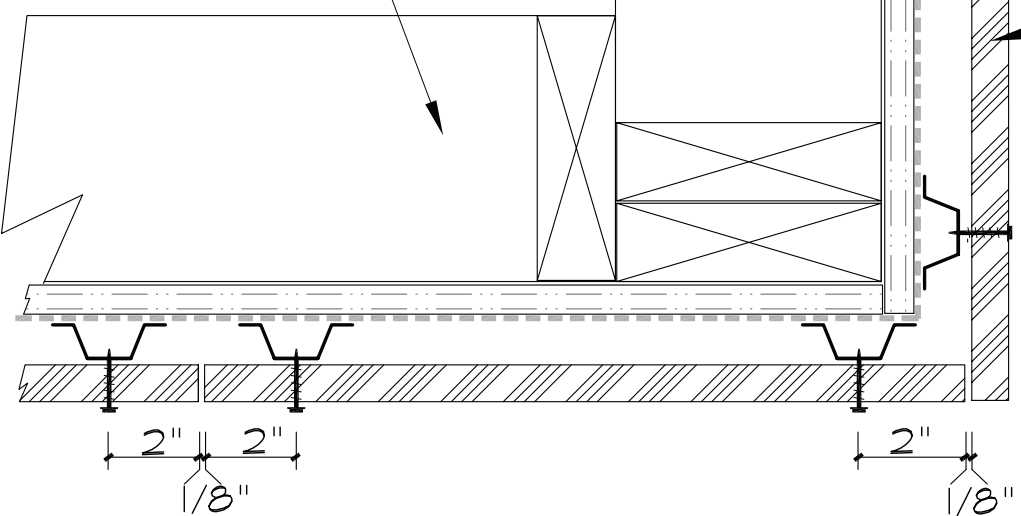
7/8" GALVANIZED STEEL HAT CHANNEL

GEOBOARD PANEL (12 MM MINIMUM)



PLAN VIEW

TYPICAL OUTSIDE CORNER



Ameriform LLC  
162 Cook Lane  
Marlborough, MA 01752  
Ph: (508)485-9812 Fax: (508)251-3084  
www.ameriformllc.com

GEOBOARD RAIN-SCREEN DETAILS

AMERIFORM